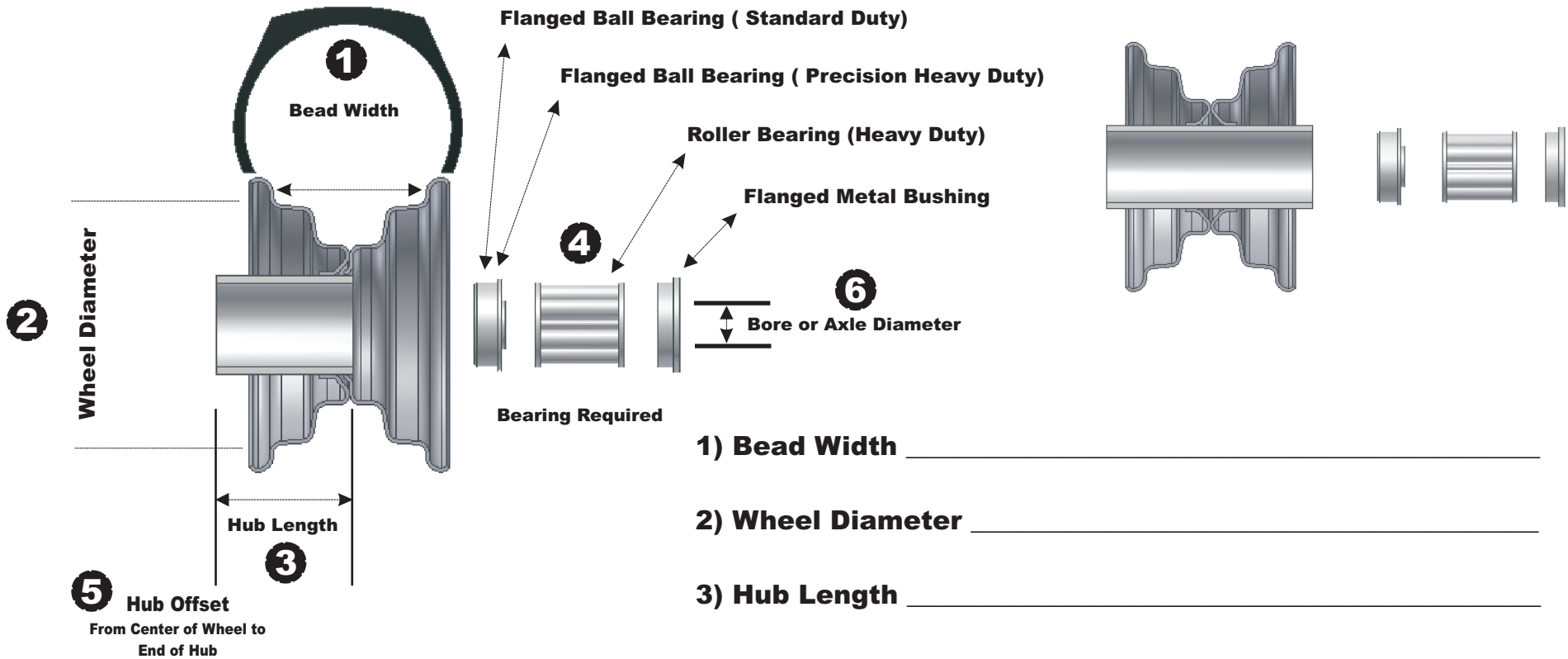


Bearing and Hub configuration diagram

Offset Hub Configuration

Bearing Options

Symmetrical Hub Configuration



1) Bead Width _____

2) Wheel Diameter _____

3) Hub Length _____

4) Bearing Required _____

5) Hub Offset _____

6) Bore or Axle Diameter _____

7) Estimated Load _____

2 Piece Bolt Together _____

3 Piece Bolt Together _____

Drop Center Welded _____

Rim Style